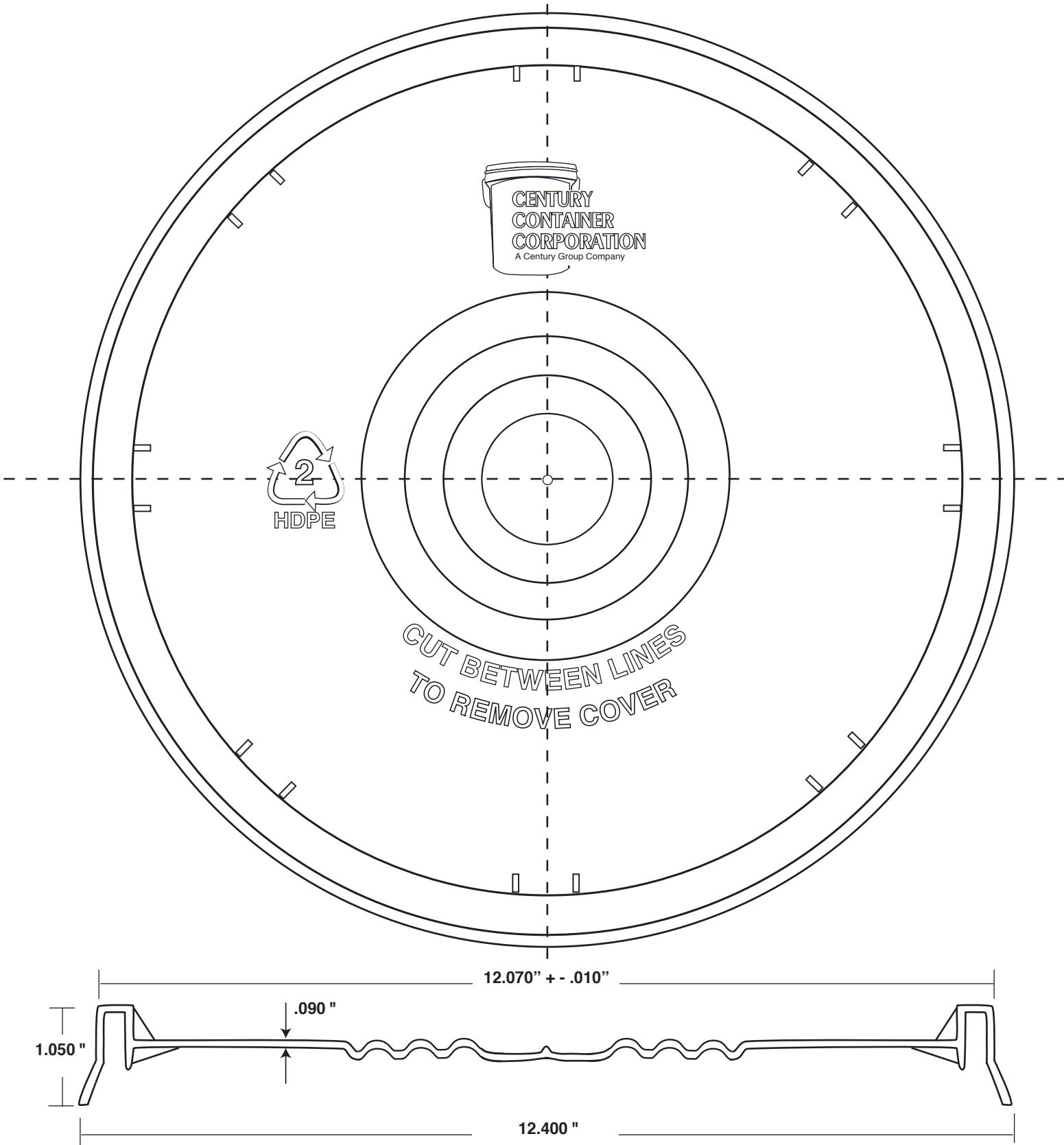




Short Skirt Lid w/o Gasket

PART NO.: 205775

DATE: JULY 2010





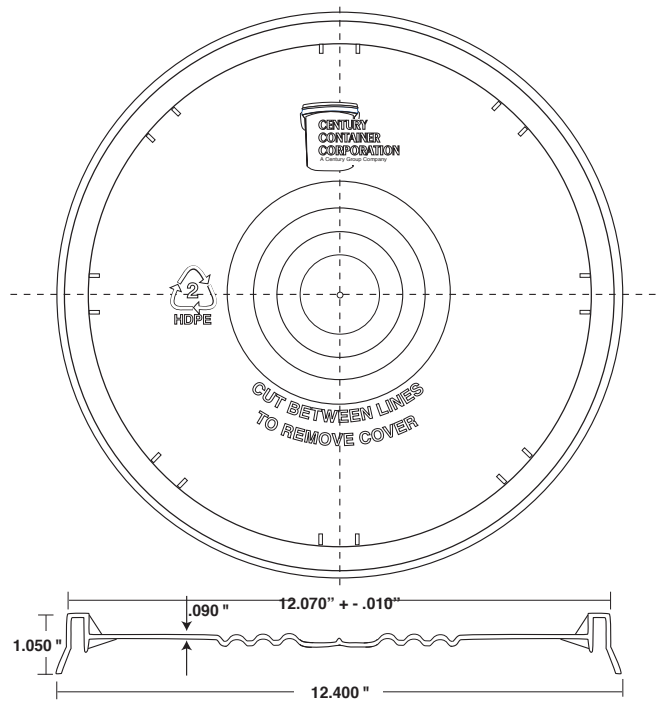
Engineering Specification

CAVITY 75 PART NUMBER: 5775

Short Skirt Lid w/o Gasket

SPECIFICATIONS

Top Outer Diameter: 12.070" +/- .010"
 Top Out of Round: 1/8" max
 Height: 1.050"
 Wall Thickness: .090"
 Weight: 240 grams



COMPONENTS

Resin: Prime High Density Polyethylene (HDPE)
 Color: Per customer spec

PRINT SPECIFICATIONS

N/A

STANDARD PACKAGING

312 per pack (12 stacks of 26 each).
 Trays on top and bottom with stretch wrap.
 Applied label shows Part Number and Color, Date, Packaging Quantity, Shift.
 Package Dimensions: 37 1/2" x 50" x 21"
 Weight: 170 lbs. Bulk Density: 7.45 lbs./cubic ft.

OPTIONS

FDA 21 CFR 177.1520(c)3.2(a)
 European Union 2002/72 EC

CORRESPONDING PAILS

Part #	Description
203105	3.5 Gallon Pail
203106	3.9 Gallon Pail
205112	Short 5 Gallon Pail
205120	5 Gallon 70 mil Pail
205122	5 Gallon Standard Pail
205140	5 Gallon Pail
206146	6 Gallon Pail
205148	20 Liter Pail

LID OPTIONS

N/A