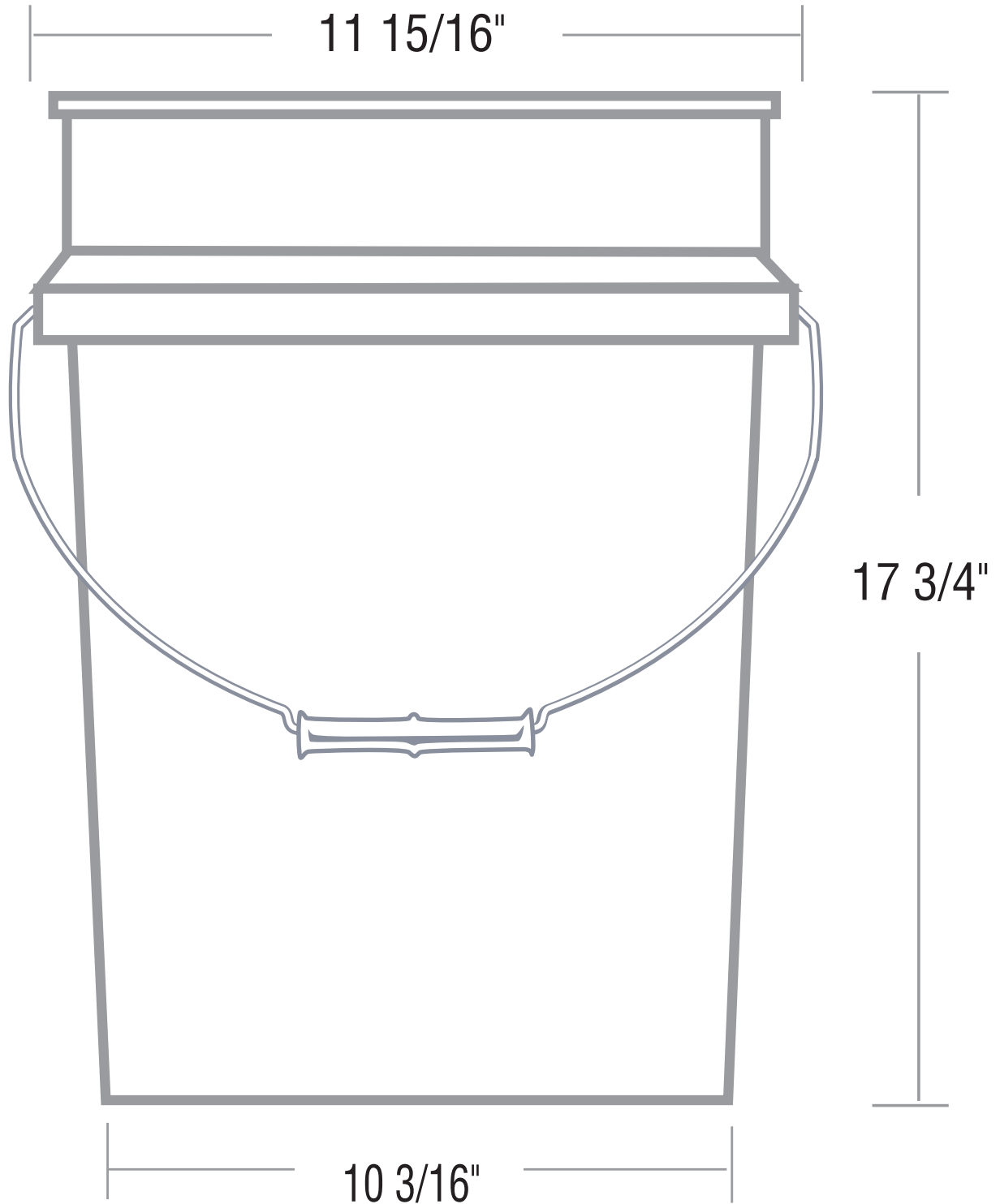




PART NO.: 206146

DATE: January 2011

Six Gallon Open Head Plastic Pail





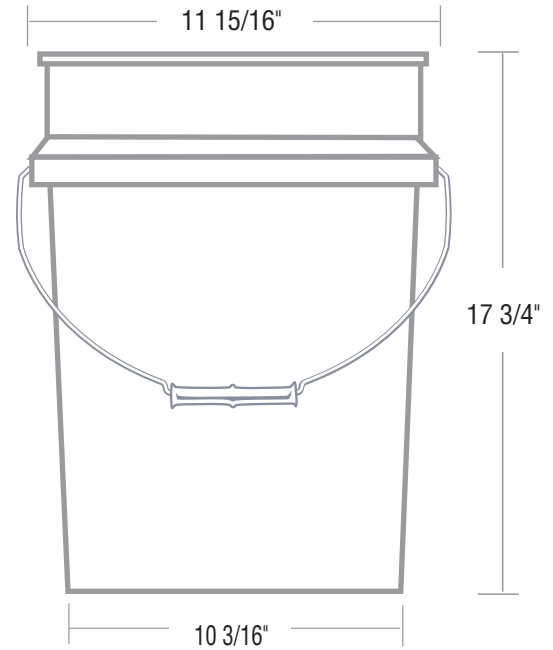
Engineering Specification

CAVITY 46 PART NUMBER: 206146

6 Gallon Open Head Plastic Pail

SPECIFICATIONS

Top Outer Diameter: 11 15/16" +/- 1/32"
 Top Out of Round: 1/8" max
 Height: 17 3/4" +/- 1/8"
 Wall Thickness: 90 mil
 Weight: 1100 grams +/- 10 grams
 Overflow: 6 gallons 104 ounces



COMPONENTS

Resin: Prime High Density Polyethylene (HDPE)
 Color: Per customer spec
 Handle: 9 gauge galvanized with injection molded no-mark plastic grip

PRINT SPECIFICATIONS

Offset Printing Area, below beam: 10" h x 34" w.
 Above-Beam Printing Area, Front: 1 1/16" h x 13" w;
 Rear: 1 1/16" h x 5 1/4" w (at top) to 9 1/2" w (at bottom).
 Four color maximum. All pails are shipped flame-treated.

STANDARD PACKAGING

120 per pack (12 stacks of 10 each).
 Packed alternately one stack up, one stack down.
 Trays on top and bottom with stretch wrap.
 Applied label shows Part Number and Color, Date, Packaging Quantity, Shift.
 Package Dimensions: 37" x 49" x 51.8"
 Weight: 320 lbs. Bulk Density: 5.62 lbs./ cubic ft.
 Truckload Quantities: 8,160 (pails only);
 6,600 (w/ long skirt lid); 6,840 (short skirt lid)

OPTIONS

FDA 21 CFR 177.1520(c)3.2(a)

CORRESPONDING LIDS

Part #	Description
205667	Short Skirt w/ Gasket
205973	Short Skirt EZ Tear w/o Gasket
205775	Short Skirt w/o Gasket
205876	Long Skirt EZ Tear w/ Gasket
205877	Long Skirt Tear-Tab w/ Gasket
205879	Long Skirt Tear-Tab w/ Gasket
205880	Seat Tray
205990	Top Hat

LID OPTIONS

For Gasket Lids:
 Rieke Spout
 Rieke Jr.
 Tint Plug
 Screw Cap
 Screw Cap w/ Tint Plug
 Poly Vent
 Buna Vent