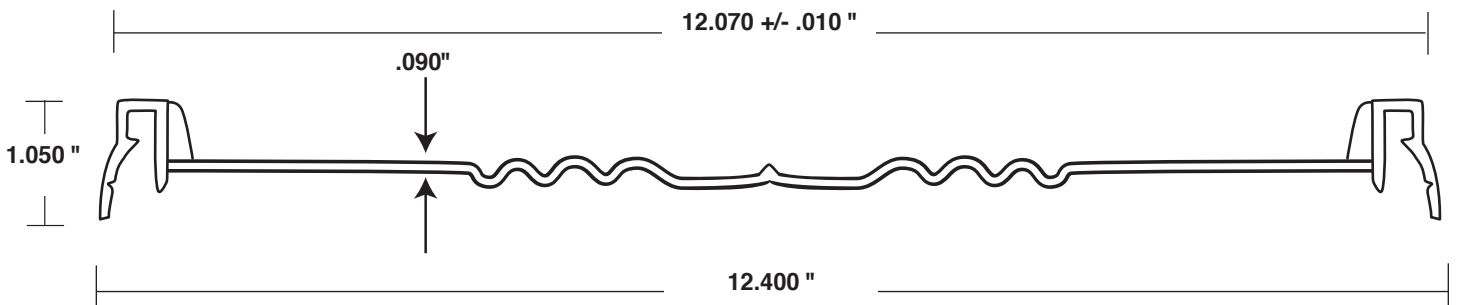
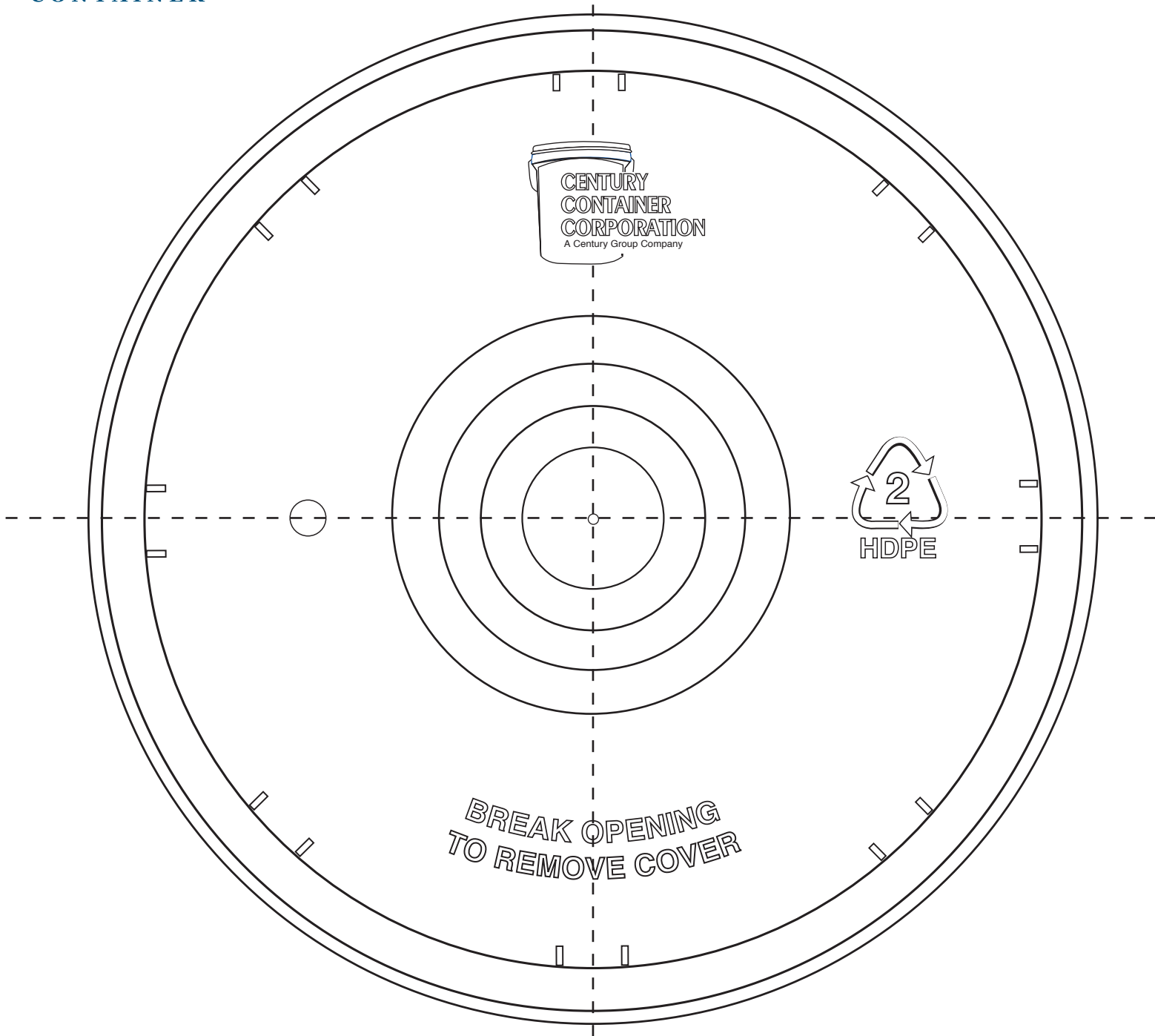




Short Skirt EZ Tear Lid

PART NO.: 205973

DATE: July 2010





Engineering Specification

CAVITY 73 PART NUMBER: 205973

Short Skirt EZ Tear Lid

SPECIFICATIONS

Top Outer Diameter: 12.070"
 Top Out of Round: 1/8" max
 Height: 1.050"
 Wall Thickness: .090"
 Weight: 240 grams

COMPONENTS

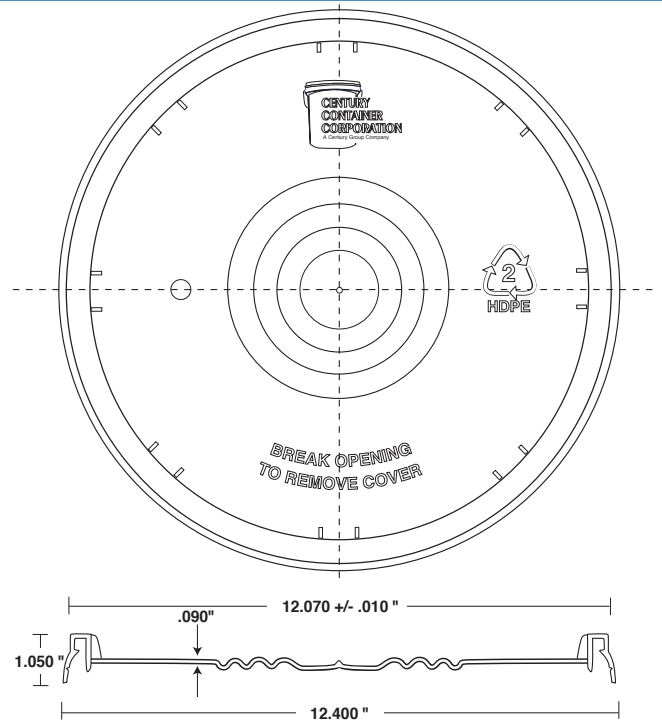
Resin: Prime High Density Polyethylene (HDPE)
 Color: Per customer spec

STANDARD PACKAGING

312 per pack (12 stacks of 26 each).
 Trays on top and bottom with stretch wrap.
 Applied label shows Part Number and Color, Date,
 Packaging Quantity, Shift.
 Package Dimensions: 37 1/2" x 50" x 21"
 Weight: 170 lbs. Bulk Density: 7.45 lbs./cubic ft.

CORRESPONDING PAILS

Part #	Description
203105	3.5 Gallon Pail
203106	3.9 Gallon Pail
205112	Short 5 Gallon Pail
205120	5 Gallon 70 mil Pail
205122	5 Gallon Standard Pail
205140	5 Gallon Pail
206146	6 Gallon Pail
205148	20 Liter Pail



PRINT SPECIFICATIONS

N/A

OPTIONS

FDA 21 CFR 177.1520(c)3.2(a)
 European Union 2002/72 EC

LID OPTIONS

N/A