



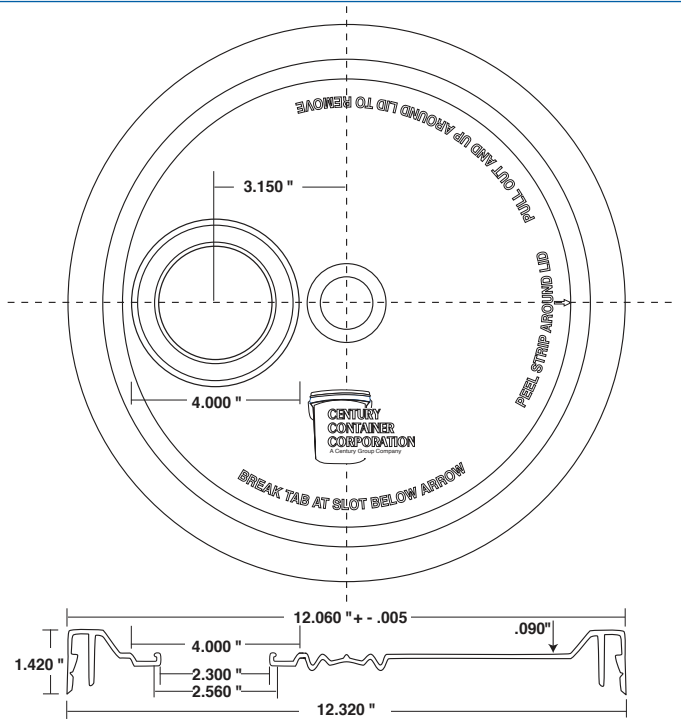
# Engineering Specification

**CAVITY 77 PART NUMBER: 205877**

Long Skirt Tear-Tab Lid with Gasket, Rieke

## SPECIFICATIONS

Top Outer Diameter: 12.060 +/- .005"  
 Top Out of Round: 1/8" max  
 Height: 1.420"  
 Wall Thickness: .090"  
 Weight: 290 grams



## COMPONENTS

Resin: Prime High Density Polyethylene (HDPE)  
 Color: Per customer spec  
 Gasket: PVC or EPDM

## PRINT SPECIFICATIONS

N/A

## STANDARD PACKAGING

168 per pack (12 stacks of 14 each).  
 Trays on top and bottom with stretch wrap.  
 Applied label shows Part Number and Color, Date, Packaging Quantity, Shift.  
 Package Dimensions: 37" x 49" x 17"  
 Weight: 112 lbs. Bulk Density: 6.32 lbs./cubic ft.

## OPTIONS

FDA 21 CFR 177.1520(c)3.2(a)  
 European Union 2002/72 EC

## CORRESPONDING PAILS

Part #	Description
203105	3.5 Gallon Pail
203106	3.9 Gallon Pail
205112	Short 5 Gallon Pail
205120	5 Gallon 70 mil Pail
205122	5 Gallon Standard Pail
205140	5 Gallon Pail
206146	6 Gallon Pail
205148	20 Liter Pail

## LID OPTIONS

Rieke Spout  
 Rieke Jr.  
 Tint Plug  
 Screw Cap  
 Screw Cap w/ Tint Plug  
 Poly Vent  
 Buna Vent