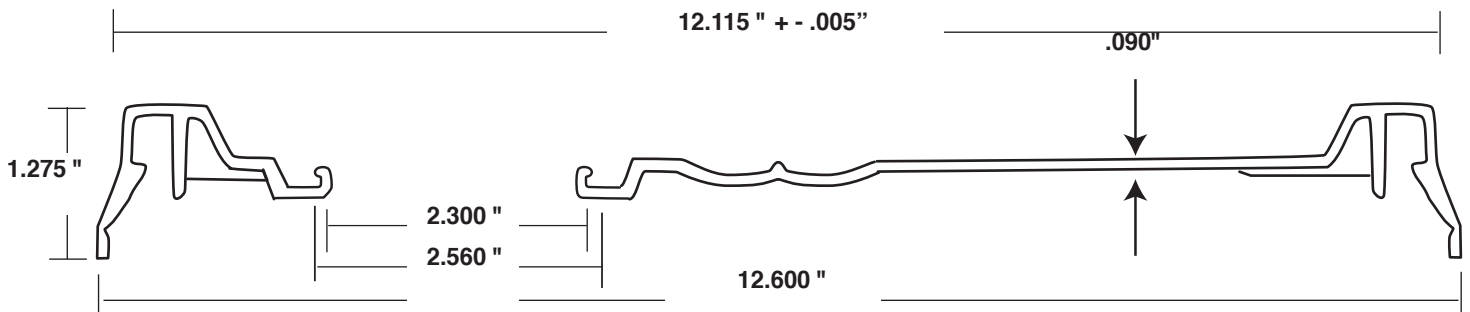
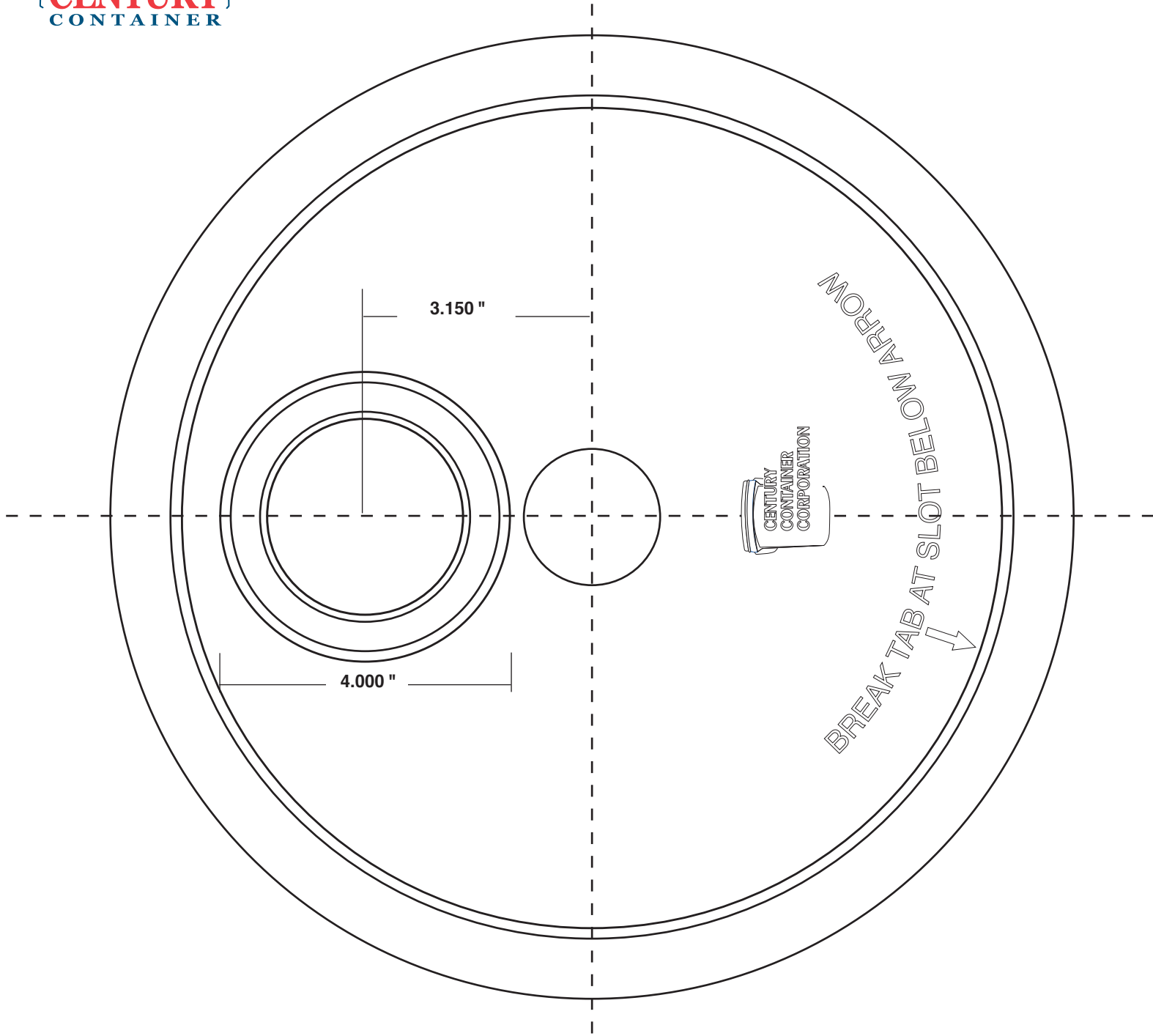




Long Skirt EZ Tear Lid w/ Gasket, Rieke

PART NO.: 205876

DATE: March 2011





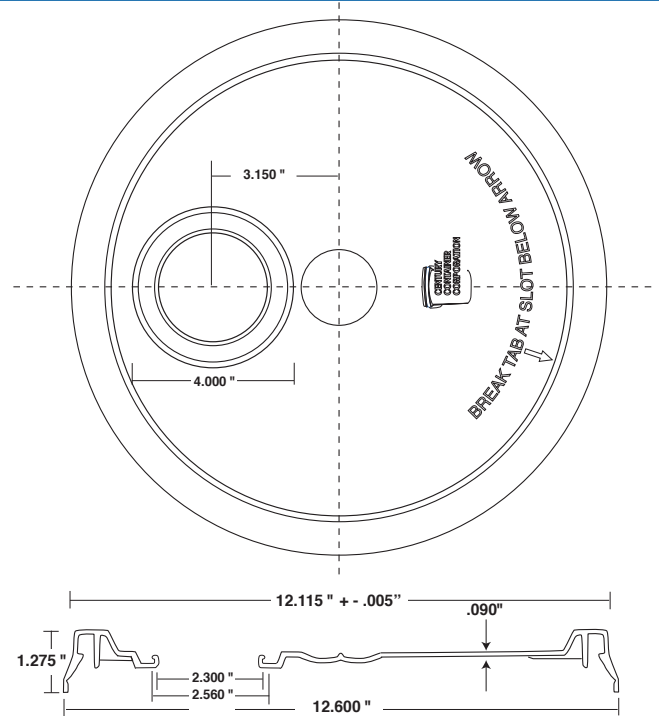
Engineering Specification

CAVITY 76 PART NUMBER: 205876

Long Skirt EZ Tear Lid with Gasket, Rieke

SPECIFICATIONS

Top Outer Diameter: 12.115" +/- .005"
 Top Out of Round: 1/8" max
 Height: 1.275"
 Wall Thickness: .090"
 Weight: 290 grams



COMPONENTS

Resin: Prime High Density Polyethylene (HDPE)
 Color: Per customer spec
 Gasket: PVC or EPDM

PRINT SPECIFICATIONS

N/A

STANDARD PACKAGING

168 per pack (12 stacks of 14 each).
 Trays on top and bottom with stretch wrap.
 Applied label shows Part Number and Color, Date, Packaging Quantity, Shift.
 Package Dimensions: 37 1/2" x 50" x 12"
 Weight: 115 lbs. Bulk Density: 5.04 lbs./ cubic ft.

OPTIONS

FDA 21 CFR 177.1520(c)3.2(a)
 European Union 2002/72 EC

CORRESPONDING PAILS

| Part # | Description |
|--------|------------------------|
| 203105 | 3.5 Gallon Pail |
| 203106 | 3.9 Gallon Pail |
| 205112 | Short 5 Gallon Pail |
| 205120 | 5 Gallon 70 mil Pail |
| 205122 | 5 Gallon Standard Pail |
| 205140 | 5 Gallon Pail |
| 206146 | 6 Gallon Pail |
| 205148 | 20 Liter Pail |

LID OPTIONS

Rieke Spout
 Rieke Jr.
 Tint Plug