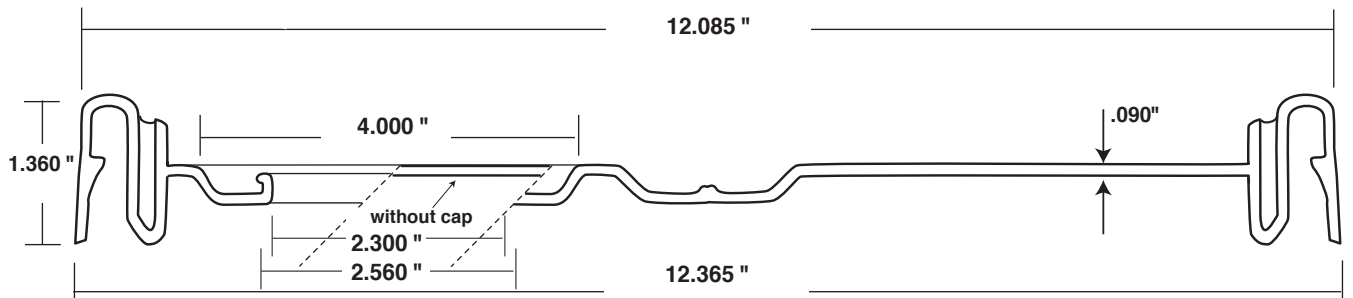
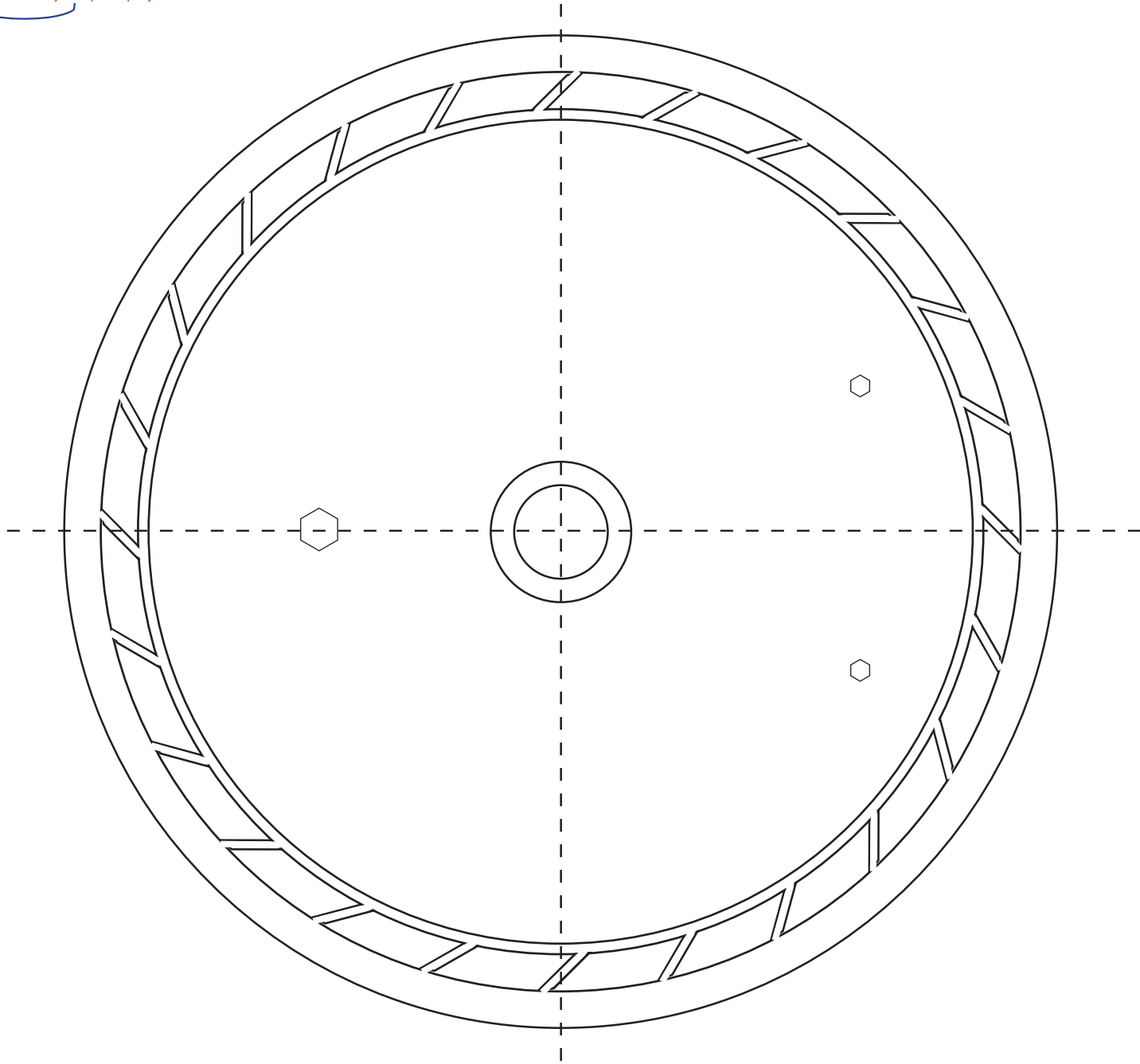




PART NO.: 205641

DATE: October 2010

U.N. RATED LID





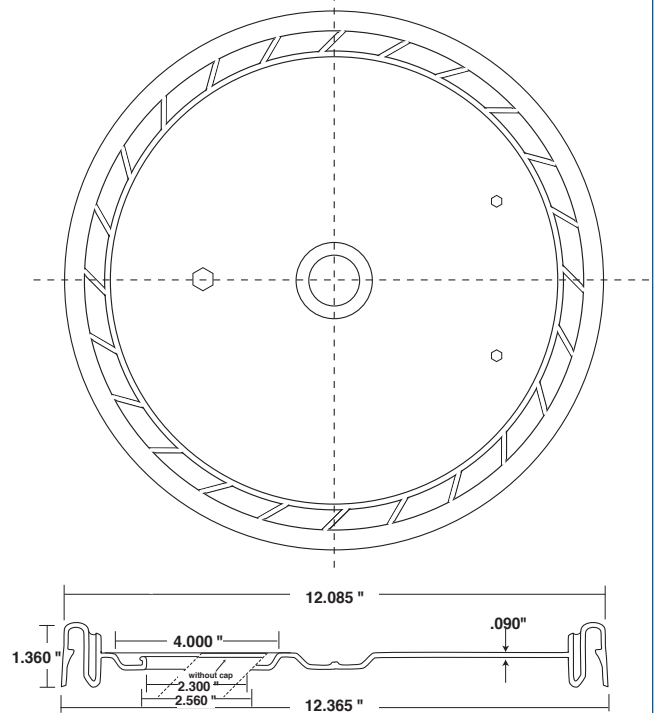
Engineering Specification

CAVITY 41 PART NUMBER: 205641

U.N. Rated Lid

SPECIFICATIONS

Top Outer Diameter: 12.085" +/- .005"
 Top Out of Round: 1/8" max
 Height: 1.360"
 Wall Thickness: .090"
 Weight: 390 grams



COMPONENTS

Resin: Prime High Density Polyethylene (HDPE)
 Color: Per customer spec
 Gasket: EPDM

PRINT SPECIFICATIONS

N/A

STANDARD PACKAGING

168 per pack (12 stacks of 14 each).
 Trays on top and bottom with stretch wrap.
 Applied label shows Part Number and Color, Date, Packaging Quantity, Shift.
 Package Dimensions: 37" x 49" x 17"
 Weight: 150 lbs. Bulk Density: 8.42 lbs./ cubic ft.

OPTIONS

FDA 21 CFR 177.1520(c)3.2(a)
 European Union 2002/72 EC
 U.N. Rated with Specified Pail

CORRESPONDING PAILS

Part #	Description
203105	3.5 Gallon Pail
203106	3.9 Gallon Pail
205112	Short 5 Gallon Pail
205120	5 Gallon 70 mil Pail
205122	5 Gallon Standard Pail
205140	5 Gallon Pail*
206146	6 Gallon Pail*
205148	20 Liter Pail*

*U.N. Rated

LID OPTIONS

Rieke spout
 Screw cap