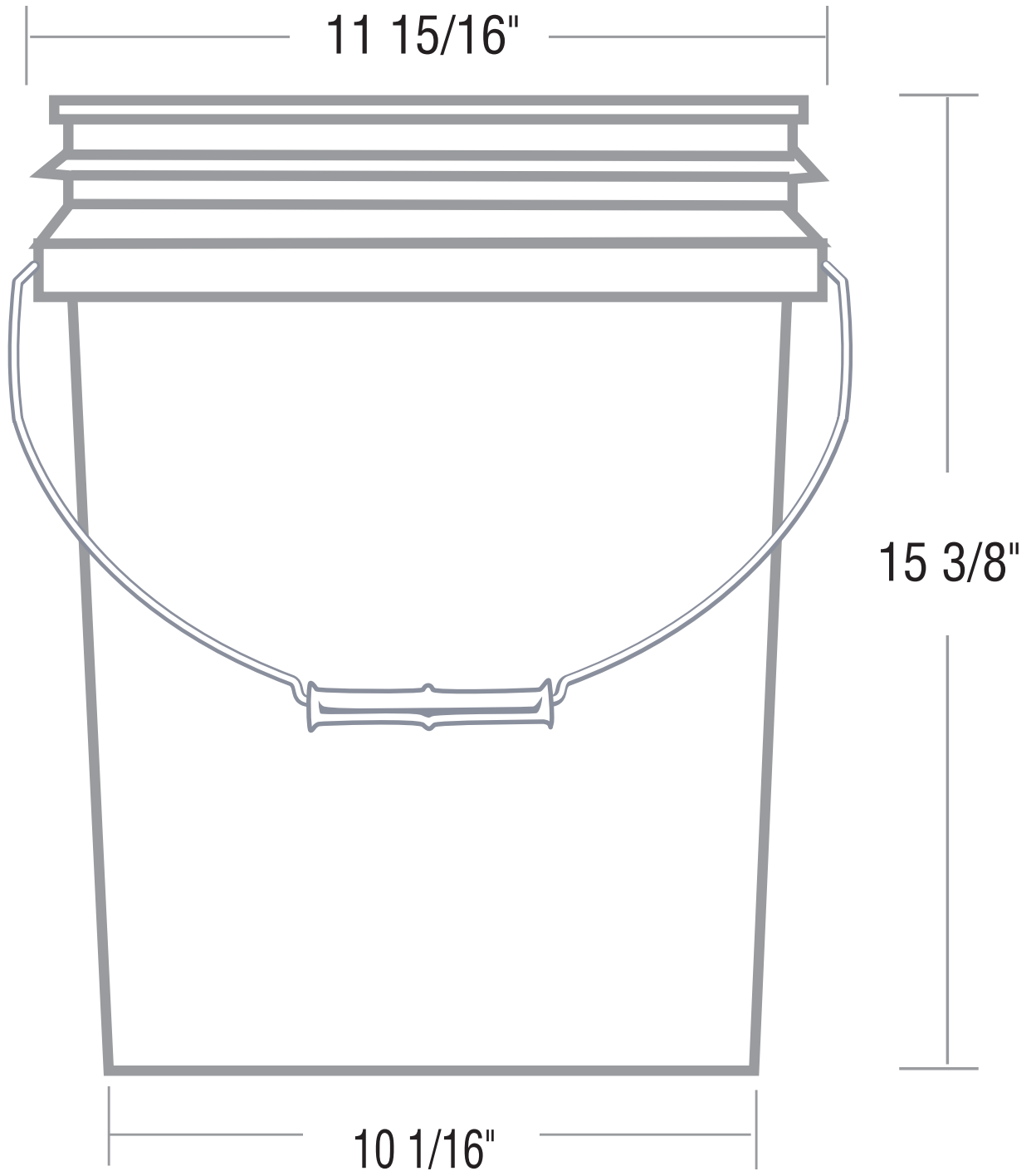




PART NO.: 205148

DATE: July 2010

### 20 Liter Open Head Plastic Pail





# Engineering Specification

**CAVITY 48**

**PART NUMBER: 205148**

20 Liter Open Head Plastic Pail

## SPECIFICATIONS

Top Outer Diameter: 11 15/16" +/- 1/32"

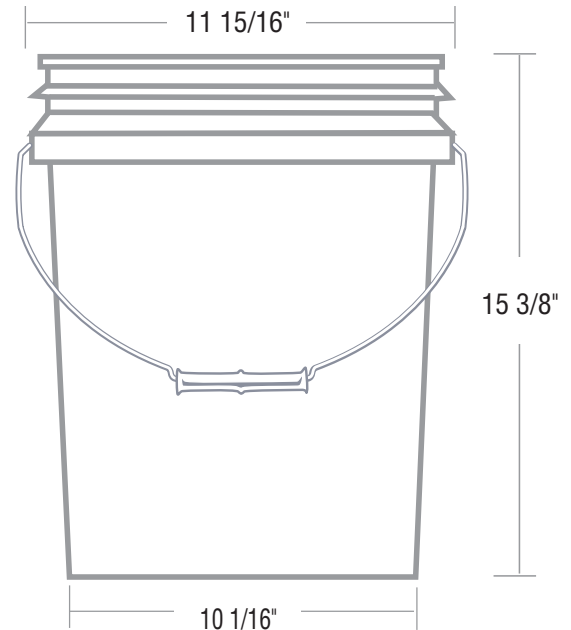
Top Out of Round: 1/8" max

Height: 15 3/8" +/- 1/8"

Wall Thickness: 90 mil

Weight: 1000 grams +/- 5 grams

Overflow Capacity: 21.75 liters



## COMPONENTS

Resin: Prime High Density Polyethylene (HDPE)

Color: Per customer spec

Handle: 9 gauge galvanized wire with injection molded no-mark plastic grip

## PRINT SPECIFICATIONS

Offset Printing Area: 10" x 34"

Four color maximum.

All pails are shipped flame-treated.

## STANDARD PACKAGING

156 per pack (12 stacks of 13 each).

Packed alternately one stack up, one stack down.

Trays on top and bottom with stretch wrap.

Applied label shows Part Number and Color, Date, Package Quantity, Shift.

Package Dimensions: 37" x 49" x 49"

Weight: 364 lbs. Bulk Density: 7.11 lbs./cubic ft.

Truckload Quantities: 11,424 (pails only); 8,568

(w/ long skirt lid); 8,904 (short skirt lid)

## OPTIONS

FDA 21 CFR 177.1520(c)3.2(a)

European Union 2002/72 EC

U.N. Certification 1 H2/Y1.5/30 (used in conjunction with 205641-04)

U.N. Certification 1 H2/Y30/S (used in conjunction with 205641)

## CORRESPONDING LIDS

Part #	Description
205641	U.N. Rated Lid
205667	Short Skirt w/ Gasket
205973	Short Skirt EZ Tear w/o Gasket
205775	Short Skirt w/o Gasket
205876	Long Skirt EZ Tear w/ Gasket
205877	Long Skirt Tear-Tab w/ Gasket
205879	Long Skirt Tear-Tab w/ Gasket
205880	Seat Tray
205990	Top Hat

## LID OPTIONS

For Gasket Lids:

Rieke Spout

Rieke Jr.

Tint Plug

Screw Cap

Screw Cap w/ Tint Plug

Poly Vent

Buna Vent