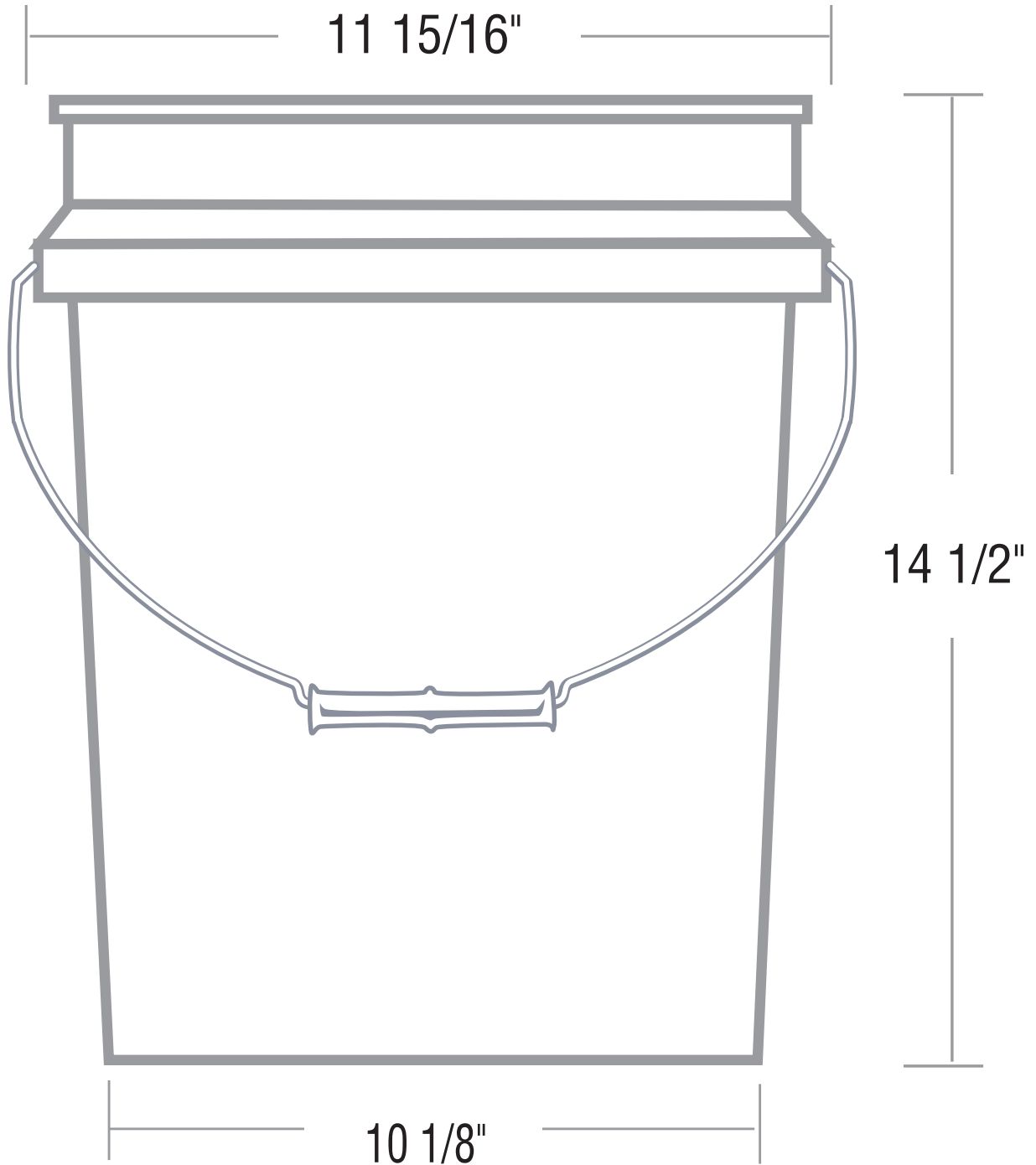




PART NO.: 205122

DATE: July 2010

5 Gallon Standard Open Head Plastic Pail





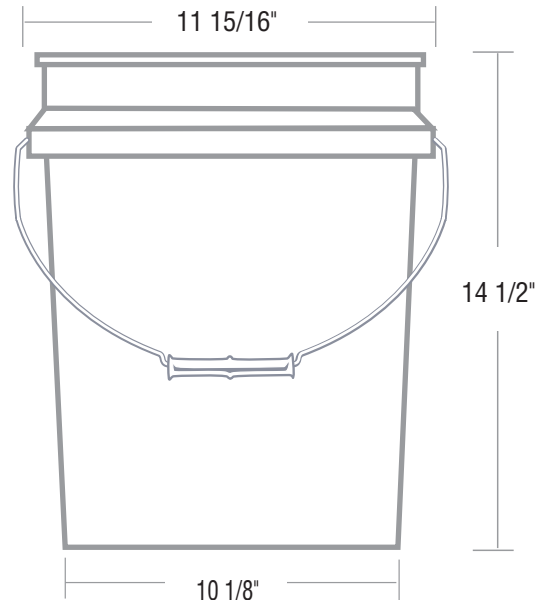
Engineering Specification

CAVITY 22 PART NUMBER: 205122

5 Gallon Standard Open Head Plastic Pail

SPECIFICATIONS

Top Outer Diameter: 11 15/16" +/- 1/32"
 Top Out of Round: 1/8" max
 Height: 14 1/2" +/- 1/8"
 Wall Thickness: 90 mil
 Weight: 925 grams +/- 10 grams
 Overflow: 5 gallons 67 ounces



COMPONENTS

Resin: Prime High Density Polyethylene
 Color: Per customer spec
 Handle: 9 gauge galvanized wire with injection molded no-mark plastic grip

PRINT SPECIFICATIONS

Offset Printing Area, below beam: 8 3/4" h x 34" w.
 Above-Beam Printing Area, Front: 1 1/16" h x 13" w;
 Rear: 1 1/16" h x 5 1/4" w (at top) to 9 1/2" w (at bottom).
 Four color maximum. All pails are shipped flame-treated.

STANDARD PACKAGING

168 per pack (12 stacks of 14 each).
 Pails packed top side up.
 Trays on top and bottom with stretch wrap.
 Applied label shows Part Number and Color, Date, Packaging Quantity, Shift.
 Package Dimensions: 37" x 49" x 51"
 Weight: 363 lbs. Bulk Density: 6.78 lbs./cubic ft.
 Truckload Quantities: 11,424 (pails only); 8,568 (w/ long skirt lid); 8,904 (short skirt lid)

FDA APPROVAL

FDA 21 CFR 177.1520(c)3.2(a)
 European Union 2002/72 EC

CORRESPONDING LIDS

| Part # | Description |
|--------|--------------------------------|
| 205667 | Short Skirt w/ Gasket |
| 205973 | Short Skirt EZ Tear w/o Gasket |
| 205775 | Short Skirt w/o Gasket |
| 205876 | Long Skirt EZ Tear w/ Gasket |
| 205877 | Long Skirt Tear-Tab w/ Gasket |
| 205878 | Long Skirt Tear-Tab w/ Gasket |
| 205879 | Long Skirt Tear-Tab w/ Gasket |
| 205880 | Seat Tray |
| 205990 | Top Hat |

LID OPTIONS

For Gasket Lids:
 Rieke Spout
 Rieke Jr.
 Tint Plug
 Screw Cap
 Screw Cap w/ Tint Plug
 Poly Vent
 Buna Vent