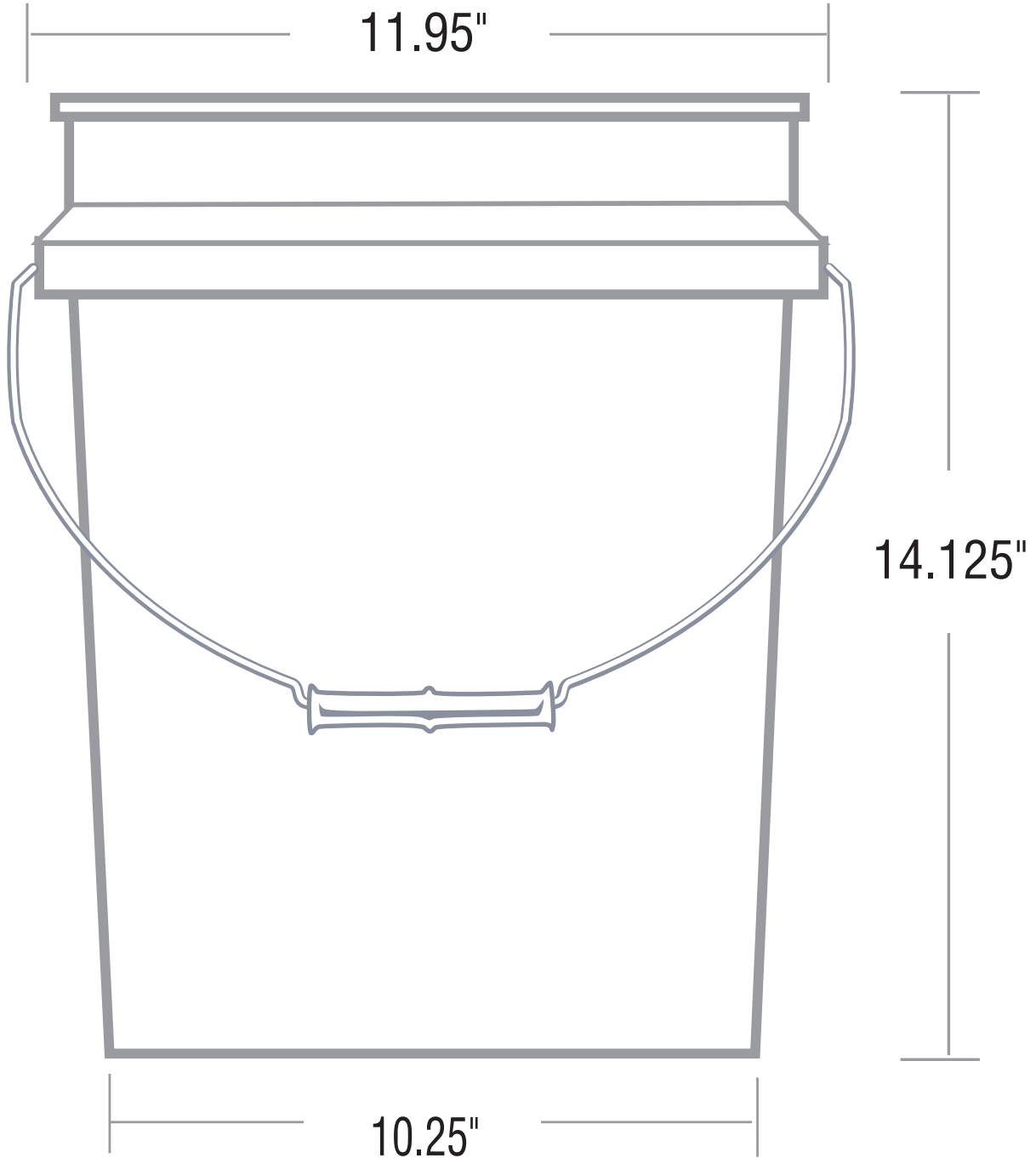




PART NO.: 205108

**5 Gallon Standard Open Head Plastic Pail--100 mil**





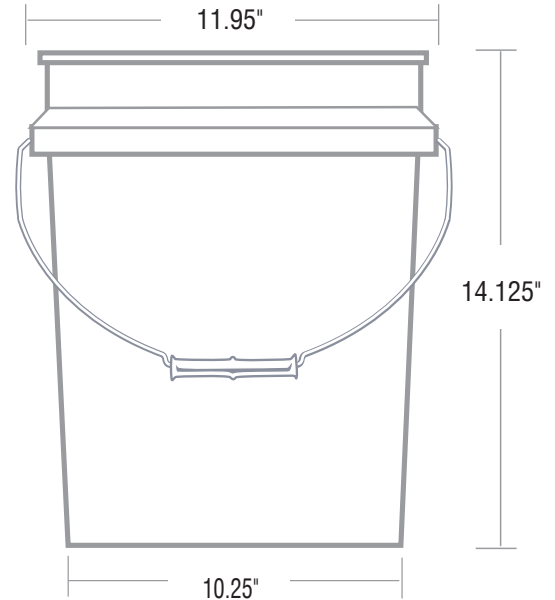
# Engineering Specification

**CAVITY 09    PART NUMBER: 205108**

5 Gallon Tall Open Head Plastic Pail

## SPECIFICATIONS

Top Outer Diameter: 11.95" +/- 1/32"  
 Top Out of Round: 1/8" max  
 Height: 14.125" +/- 1/8"  
 Wall Thickness: 100 mil  
 Weight: 970 grams +/- 10 grams  
 Overflow: 5 gallons, 56 oz.



## COMPONENTS

Resin: Prime High Density Polyethylene  
 Color: Per customer spec  
 Handle: 9 gauge galvanized with injection molded no-mark plastic grip

## PRINT SPECIFICATIONS

Offset Printing Area, below beam: 9 1/2" h x 34" w.  
 Above-Beam Printing Area, Front: 1 1/16" h x 13" w;  
 Rear: 1 1/16" h x 5 1/4" w (at top) to 9 1/2" w (at bottom).  
 Four color maximum. All pails are shipped flame-treated.

## STANDARD PACKAGING

168 per pack (12 stacks of 14 each).  
 Pails packed topside up.  
 Trays on top and bottom with stretch wrap.  
 Applied label shows Part Number and Color, Date, Packaging Quantity, Shift.  
 Package Dimensions: 36 1/2" x 48 3/4" x 51"  
 Weight: 380 lbs. Bulk Density: 6.91 lbs./ cubic ft.  
 Truckload Quantities: 11,424 (pails only);  
 8,568 (w/ long skirt lid); 9,072 (short skirt lid)

## OPTIONS

FDA Compliance  
 European Union Certified

## CORRESPONDING LIDS

Part #	Description
205667	Short Skirt w/ Gasket
205973	Short Skirt EZ Tear w/o Gasket
205775	Short Skirt w/o Gasket
205876	Long Skirt EZ Tear w/ Gasket
205877	Long Skirt Tear Tab w/ Gasket
205878	Long Skirt Tear Tab w/ Gasket
205879	Long Skirt Tear Tab w/ Gasket
205880	Seat Tray
205990	Top Hat

## LID OPTIONS

For Gasket Lids:  
 Rieke Spout  
 Rieke Jr.  
 Tint Plug  
 Screw Cap  
 Screw Cap w/ Tint Plug