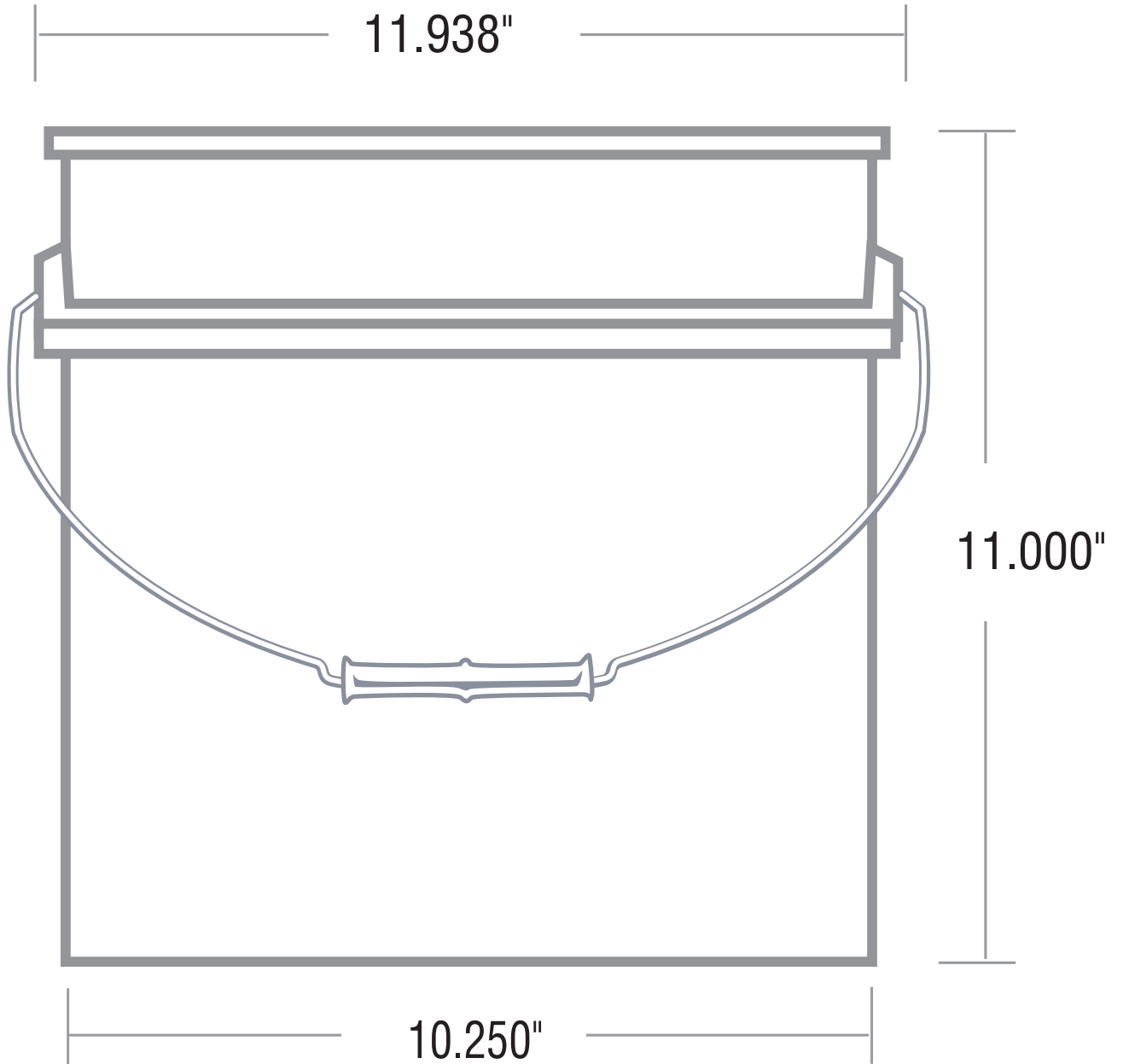




PART NO. 203105 0000\*-T

### Tall 3.5 Gallon Open Head Plastic Pail



\* "0000" designates 4-digit code for pail color



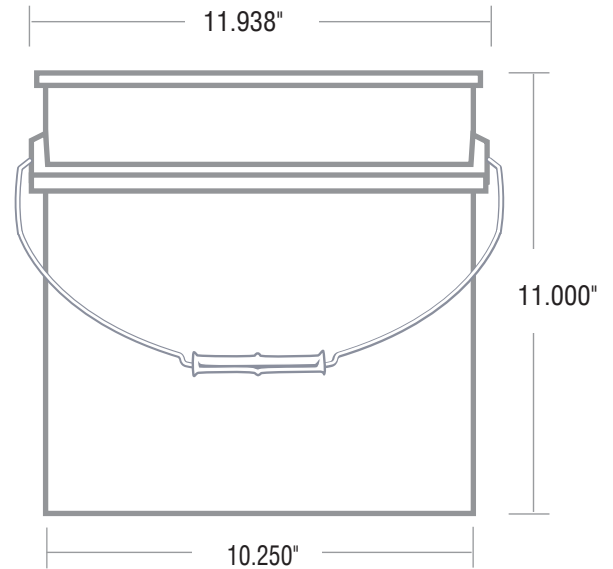
# Engineering Specification

**PART NUMBER: 203105 0000-T**

Tall 3.5 Gallon Open Head Plastic Pail

## SPECIFICATIONS

Top Outer Diameter: 11.938" +/- 0.031" Top  
 Out of Round: 0.125" max  
 Height: 11.000" +/- 0.125"  
 Wall Thickness: 90 mil  
 Weight: 728 grams +/- 5 grams  
 Overflow Capacity: 3.9 gallons + 65 ounces



## COMPONENTS

Resin: Prime High Density Polyethylene (HDPE)  
 Color: Per customer spec  
 Handle: 9 gauge galvanized wire with injection molded no-mark plastic grip

## PRINT SPECIFICATIONS

Offset Printing Area, below beam: 6.5" h x 34" w.  
 Above-Beam Printing Area, Front: 1 1/16" h x 13" w;  
 Rear: 1 1/16" h x 5 1/4" w (at top) to 9 1/2" w (at bottom).  
 Four color maximum. All pails are shipped flame-treated.

## STANDARD PACKAGING

168 per pack (12 stacks of 14 each).  
 Pails packed top side up.  
 Trays on top and bottom with stretch wrap.  
 Applied label shows Part Number and Color, Date, Package Quantity, Shift.  
 Package Dimensions: 37" x 49" x 51"  
 Weight: 291 lbs. Bulk Density: 5.43 lbs./cubic ft.  
 Truckload Quantities: 11,424 (pails only); 8,568 (w/ long skirt lid); 9,072 (short skirt lid)

## OPTIONS

FDA 21 CFR 177.1520(c)3.2(a)  
 European Union 2002/72 EC

## CORRESPONDING LIDS

Part #	Description
205667	Short Skirt w/ Gasket
205775	Short Skirt w/o Gasket
205876	Long Skirt EZ Tear w/ Gasket
205877	Long Skirt Tear-Tab w/ Gasket
205880	Seat Tray
205985	Snap-On Dust Cover
205990	Top Hat

## LID OPTIONS

For Gasket Lids:  
 Rieke Spout  
 Rieke Jr.  
 Tint Plug  
 Screw Cap  
 Screw Cap w/ Tint Plug  
 Poly Vent  
 Buna Vent