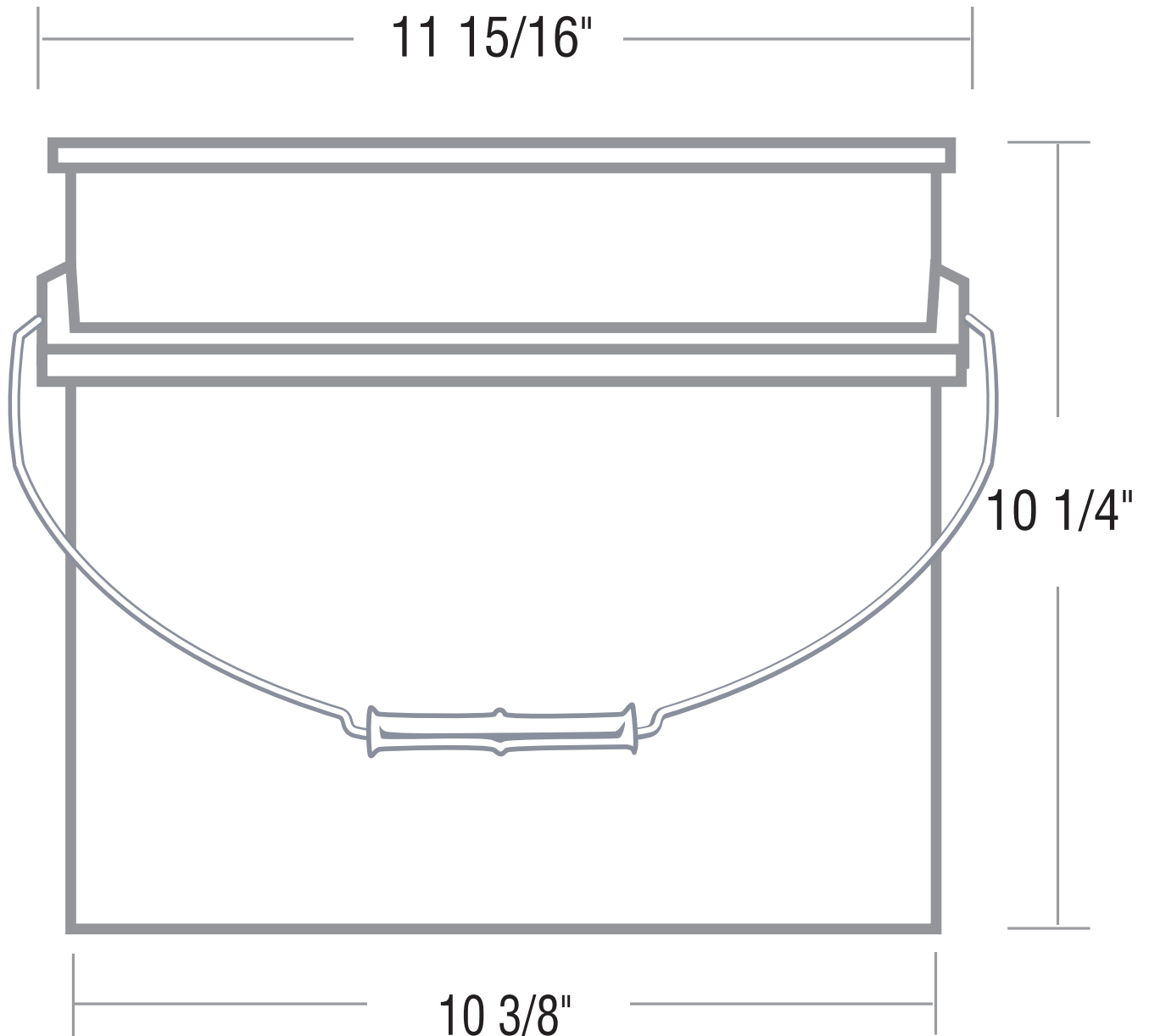




PART NO.: 203105

DATE: May 2015

### 3.5 Gallon Open Head Plastic Pail





# Engineering Specification

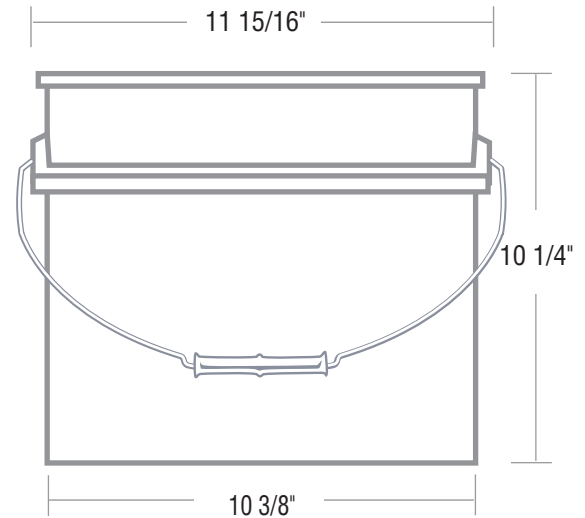
**CAVITY 05**

**PART NUMBER: 203105**

3.5 Gallon Open Head Plastic Pail

**SPECIFICATIONS**

Top Outer Diameter: 11 15/16" +/- 1/32"  
 Top Out of Round: 1/8" max  
 Height: 10 1/4" +/- 1/8"  
 Wall Thickness: 90 mil  
 Weight: 690 grams +/- 5 grams  
 Overflow Capacity: 3.5 gallons + 76 ounces



**COMPONENTS**

Resin: Prime High Density Polyethylene (HDPE)  
 Color: Per customer spec  
 Handle: 9 gauge galvanized wire with injection molded no-mark plastic grip

**PRINT SPECIFICATIONS**

Offset Printing Area, below beam: 5 3/4" h x 34" w.  
 Above-Beam Printing Area, Front: 1 1/16" h x 13" w;  
 Rear: 1 1/16" h x 5 1/4" w (at top) to 9 1/2" w (at bottom).  
 Four color maximum. All pails are shipped flame-treated.

**STANDARD PACKAGING**

168 per pack (12 stacks of 14 each).  
 Pails packed top side up.  
 Trays on top and bottom with stretch wrap.  
 Applied label shows Part Number and Color, Date, Package Quantity, Shift.  
 Package Dimensions: 37" x 49" x 49"  
 Weight: 279 lbs. Bulk Density: 5.46 lbs./cubic ft.  
 Truckload Quantities: 11,424 (pails only); 8,568 (w/ long skirt lid); 8,904 (short skirt lid)

**OPTIONS**

FDA 21 CFR 177.1520(c)3.2(a)  
 European Union 2002/72 EC

**CORRESPONDING LIDS**

Part #	Description
205667	Short Skirt w/ Gasket
205973	Short Skirt EZ Tear
205775	Short Skirt w/o Gasket
205876	Long Skirt EZ Tear w/ Gasket
205877	Long Skirt Tear-Tab w/ Gasket
205879	Long Skirt Tear-Tab w/ Gasket
205880/90	Seat Tray/Top Hat

**LID OPTIONS**

For Gasket Lids:  
 Rieke Spout  
 Rieke Jr.  
 Tint Plug  
 Screw Cap  
 Screw Cap w/ Tint Plug  
 Poly Vent  
 Buna Vent