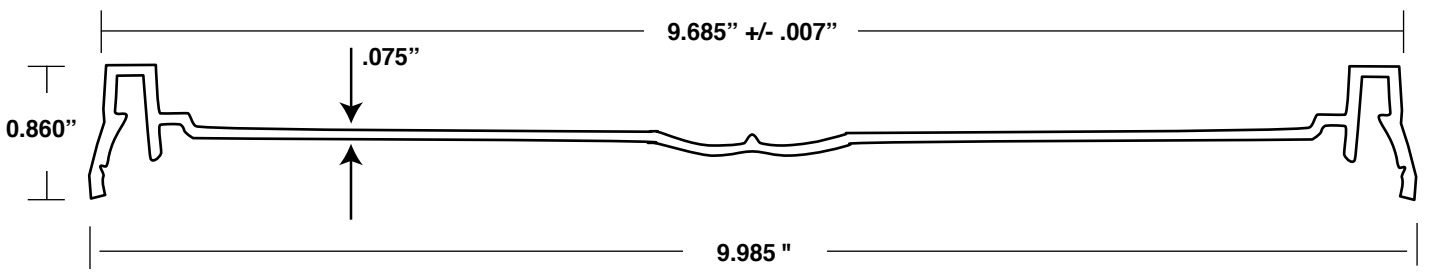
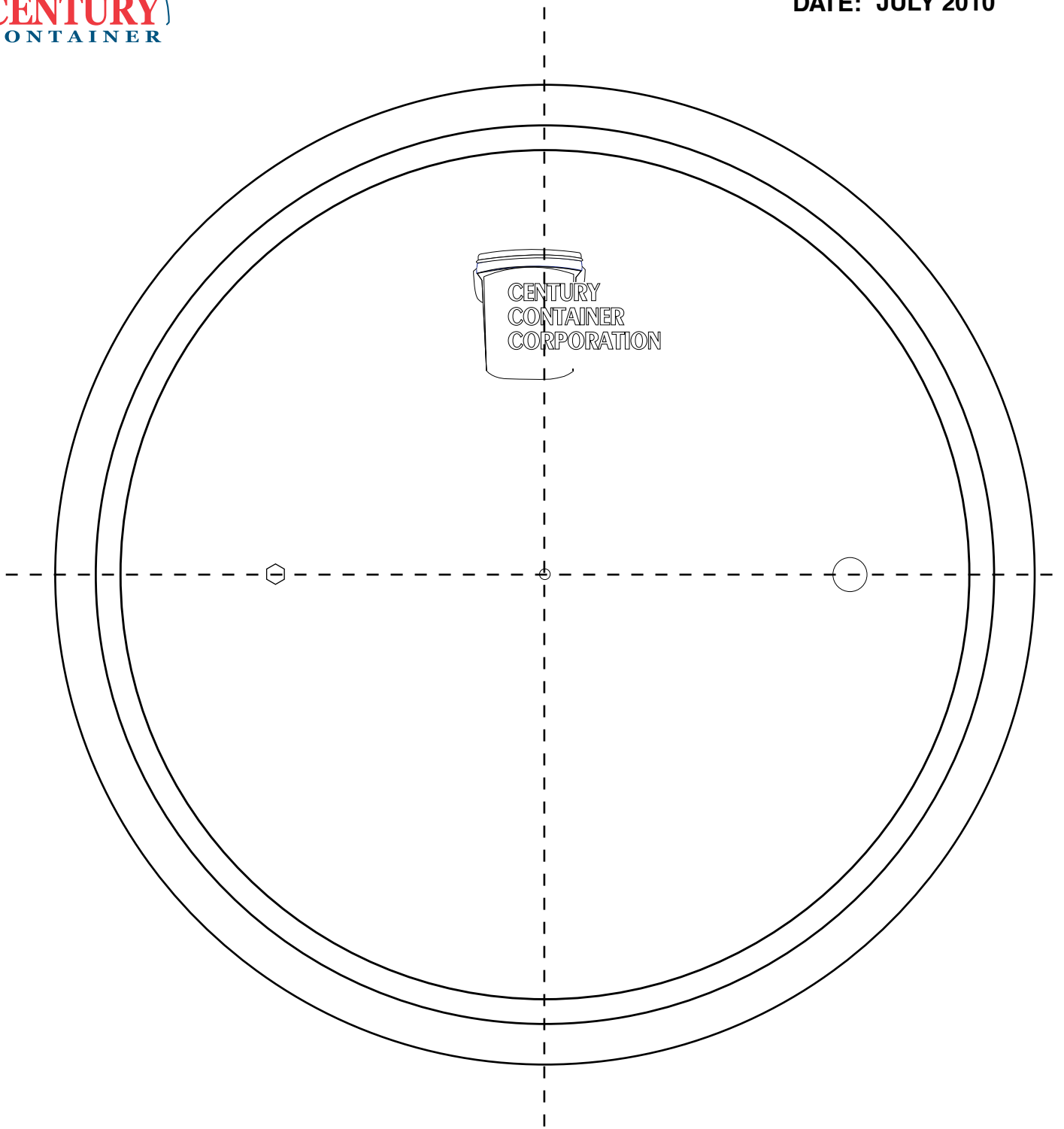


Tear-Tab Lid with Gasket

PART NO.: 2554

DATE: JULY 2010





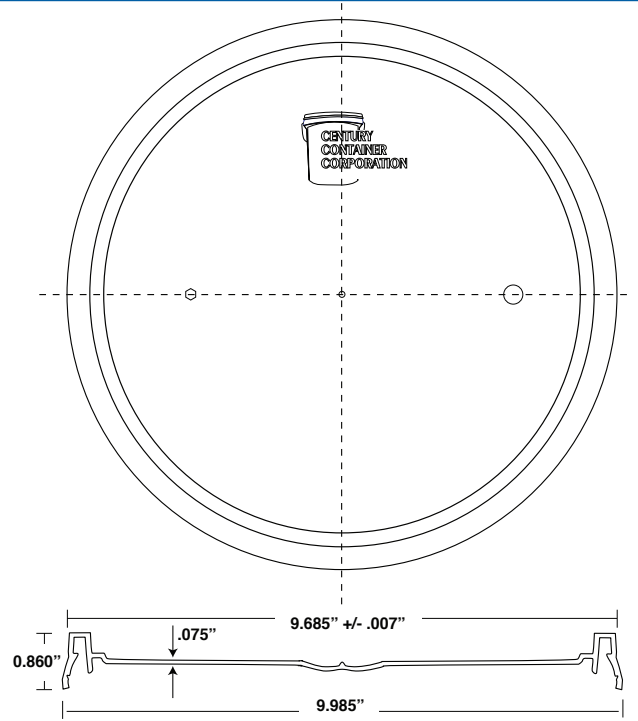
Engineering Specification

CAVITY 54 PART NUMBER: 202554

Tear-Tab Lid with Gasket

SPECIFICATIONS

Top Outer Diameter: 9.685" +/- .007"
 Top Out of Round: 1/8" max
 Height: .860"
 Wall Thickness: .075"
 Weight: 125 grams



COMPONENTS

Resin: Prime High Density Polyethylene (HDPE)
 Color: Per customer spec
 Gasket: PVC

PRINT SPECIFICATIONS

N/A

STANDARD PACKAGING

234 per pack (10 stacks of 15 each, 6 stacks of 14 each).
 Trays on top and bottom with stretch wrap.
 Applied label shows Part Number and Color, Date, Packaging Quantity, Shift.
 Package Dimensions: 37 1/2" x 50" x 9 1/2"
 Weight: 69 lbs. Bulk Density: 6.69 lbs./cubic ft.

OPTIONS

FDA 21 CFR 177.1520(c)3.2(a)
 European Union 2002/72 EC

CORRESPONDING PAILS

Part #	Description
201104	Two Gallon Pail

LID OPTIONS

Rieke Jr.
 Tint Plug