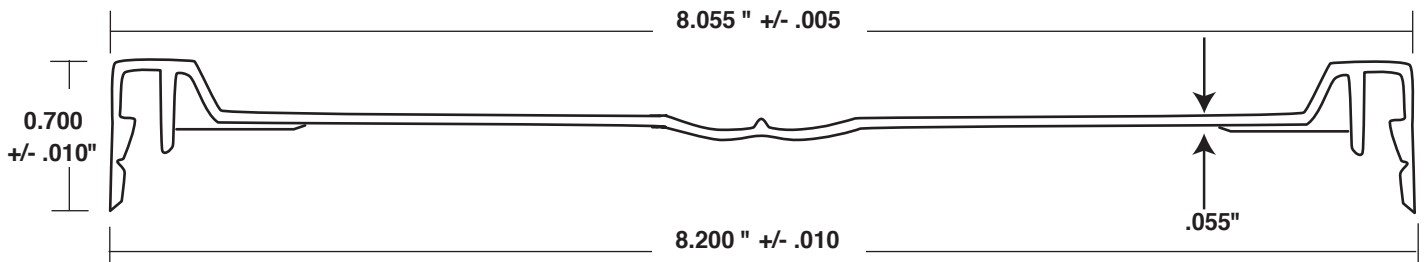
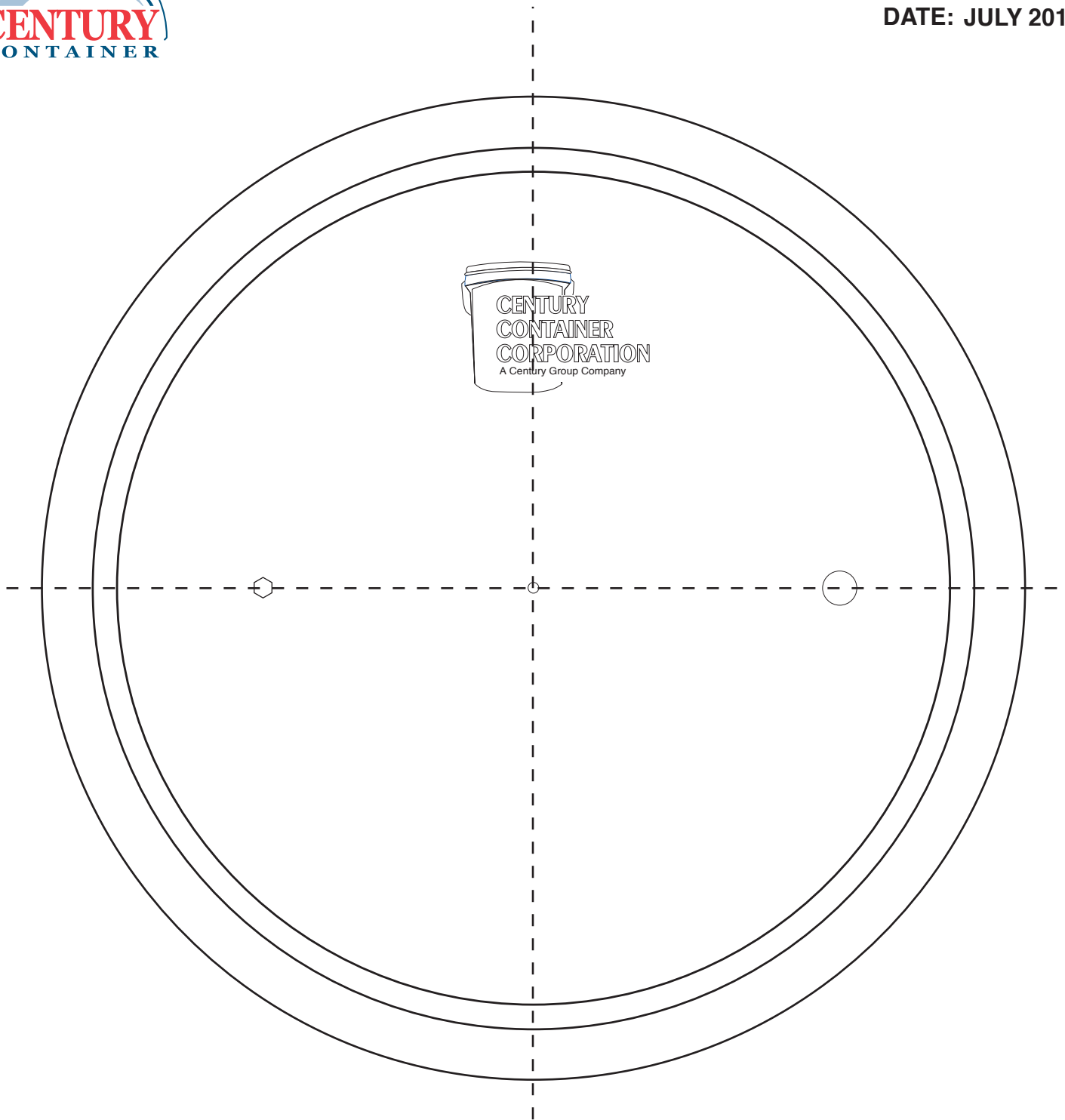




One Gallon Tear-Tab Lid

PART NO.: 201552

DATE: JULY 2010





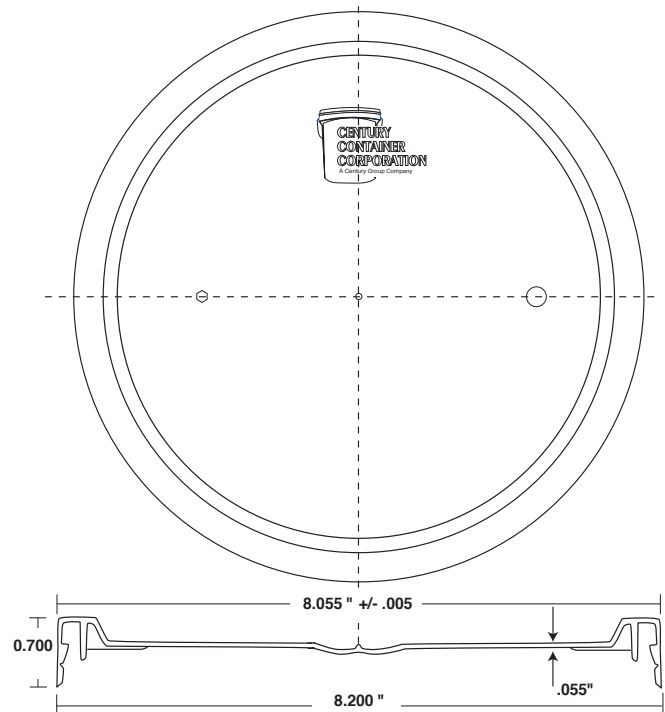
# Engineering Specification

**CAVITY 52 PART NUMBER: 201552**

Tear-Tab Gasketless Lid

## SPECIFICATIONS

Top Outer Diameter: 8.055"  
 Top Out of Round: 1/8" max  
 Height: .700"  
 Wall Thickness: .055"  
 Weight: 100 grams



## COMPONENTS

Resin: Prime Medium Density Polyethylene  
 Color: Per customer spec

## PRINT SPECIFICATIONS

N/A

## STANDARD PACKAGING

210 per box.  
 Applied label shows Part Number and Color, Date, Packaging Quantity, Shift.  
 Package Dimensions: 25" x 13" x 16 1/2"  
 Weight: 46 lbs. Bulk Density: 14.8 lbs./cubic ft.

## OPTIONS

FDA 21 CFR 177.1520(c)3.2(a)  
 European Union 2002/72 EC

## CORRESPONDING PAILS

Part #	Description
201102	One Gallon Standard Pail

## LID OPTIONS

N/A