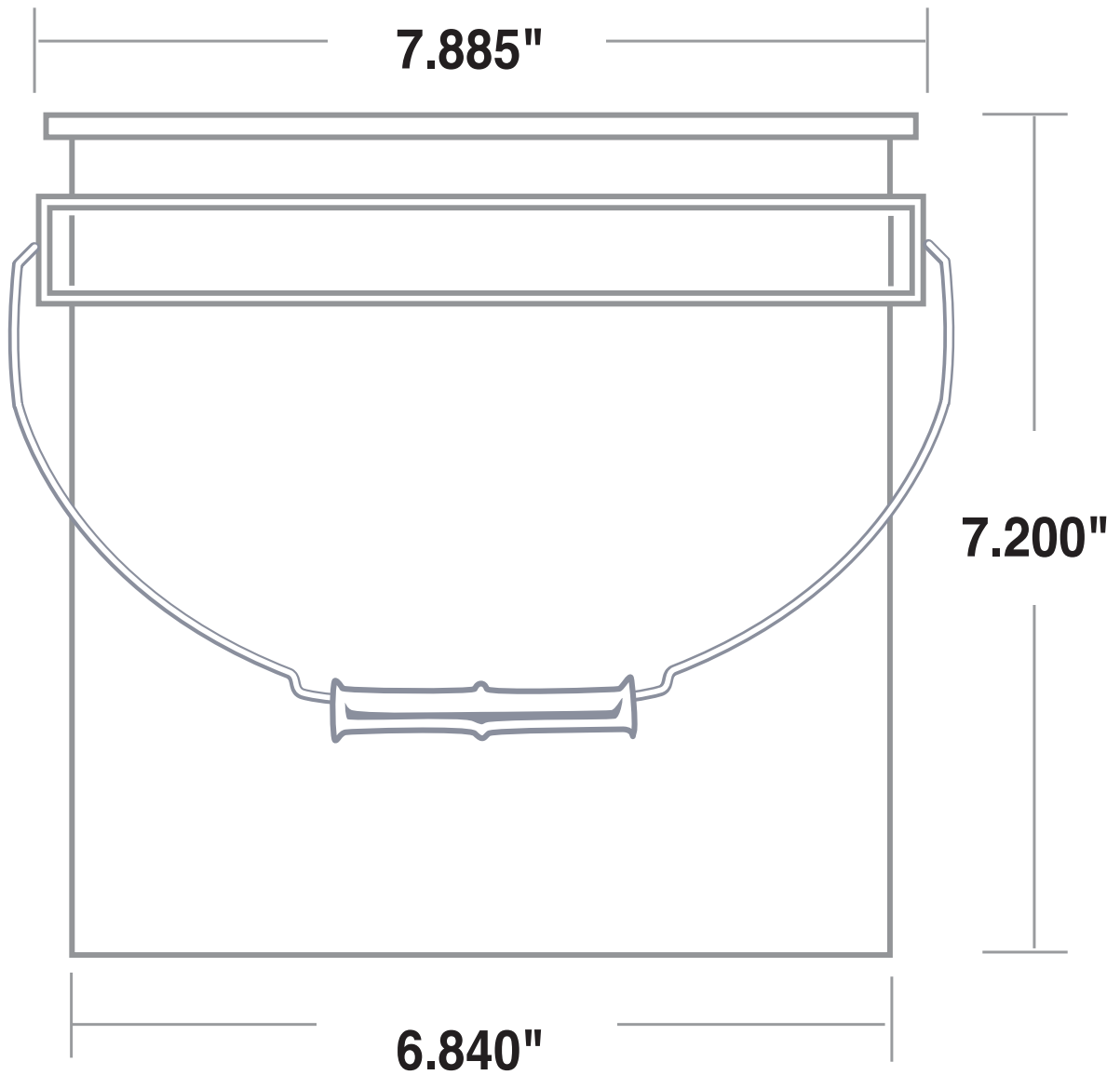




PART NO.: 201102

One Gallon Standard Open Head Plastic Pail





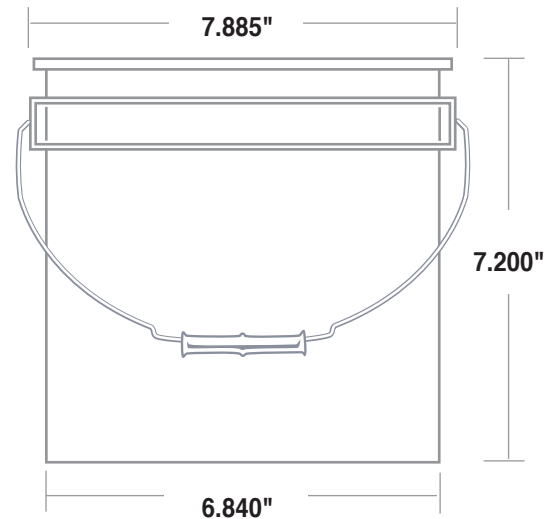
Engineering Specification

CAVITY 02 PART NUMBER: 201102

One Gallon Standard Open Head Plastic Pail

SPECIFICATIONS

Top Outer Diameter: 7.885" +/- .005"
 Top Out of Round: 0.125" max
 Height: 7.200" +/- 0.125"
 Wall Thickness: 62 mil
 Weight: 200 grams +/- 5 grams
 Overflow: 1 gallon 36 ounces



COMPONENTS

Resin: Prime High Density Polyethylene (HDPE)
 Color: Per Customer Spec
 Handle: 12 gauge galvanized wire with injection molded no-mark plastic grip

PRINT SPECIFICATIONS

Offset Printing Area: 4 1/4" x 21 1/2"
 Four color maximum.
 All pails are shipped flame-treated.

STANDARD PACKAGING

210 per pack (30 stacks of 7 each).
 Packed alternately one stack up, one stack down.
 Trays on top and bottom with stretch wrap.
 Applied label shows Part Number and Color, Date, Package Quantity, Shift.
 Package Dimensions: 37 1/2" x 50" x 18"
 Weight: 106 lbs. Bulk Density: 5.44 lbs./cubic ft.
 Truckload Quantities: 27,930 (with Cavity 52 lid);
 30,030 (with Cavity 53 lid)

OPTIONS

FDA 21 CFR 177.1520(c)3.2(a)
 European Union 2002/72 EC

CORRESPONDING LIDS

Part #	Description
201552	Tear-Tab Gasketless Lid
201553	Peel-Off Gasketless Lid

LID OPTIONS

N/A